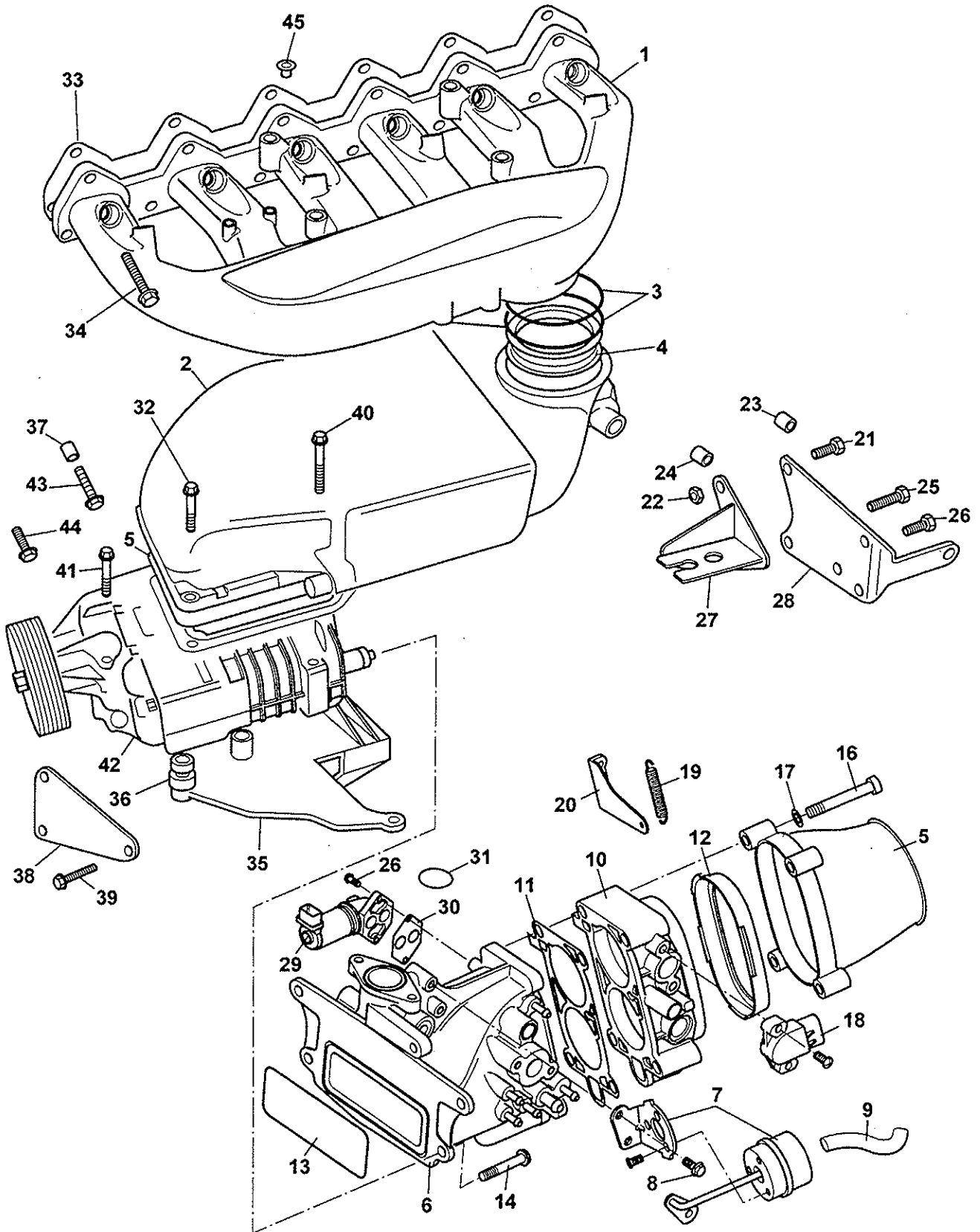


Section 2 - Fuel, Emission Control, Exhaust

- 2.1A Induction and Supercharger
 - 2.1B Air Filter and MAF Sensor
 - 2.1C EGR System
 - 2.2 Fuel Injectors and Cover
 - 2.3 Secondary Air Injection System
 - 2.4A Coupe Evaporative Emission System
 - 2.4B Volante Evaporative Emission System
 - 2.5A Coupe Fuel Tank
 - 2.5B Volante Fuel Tank
 - 2.6 Fuel and Vapour Pipes
 - 2.7 Exhaust System
-

2.1A Fuel, Emission Control, Exhaust
Induction and Supercharger

DB7



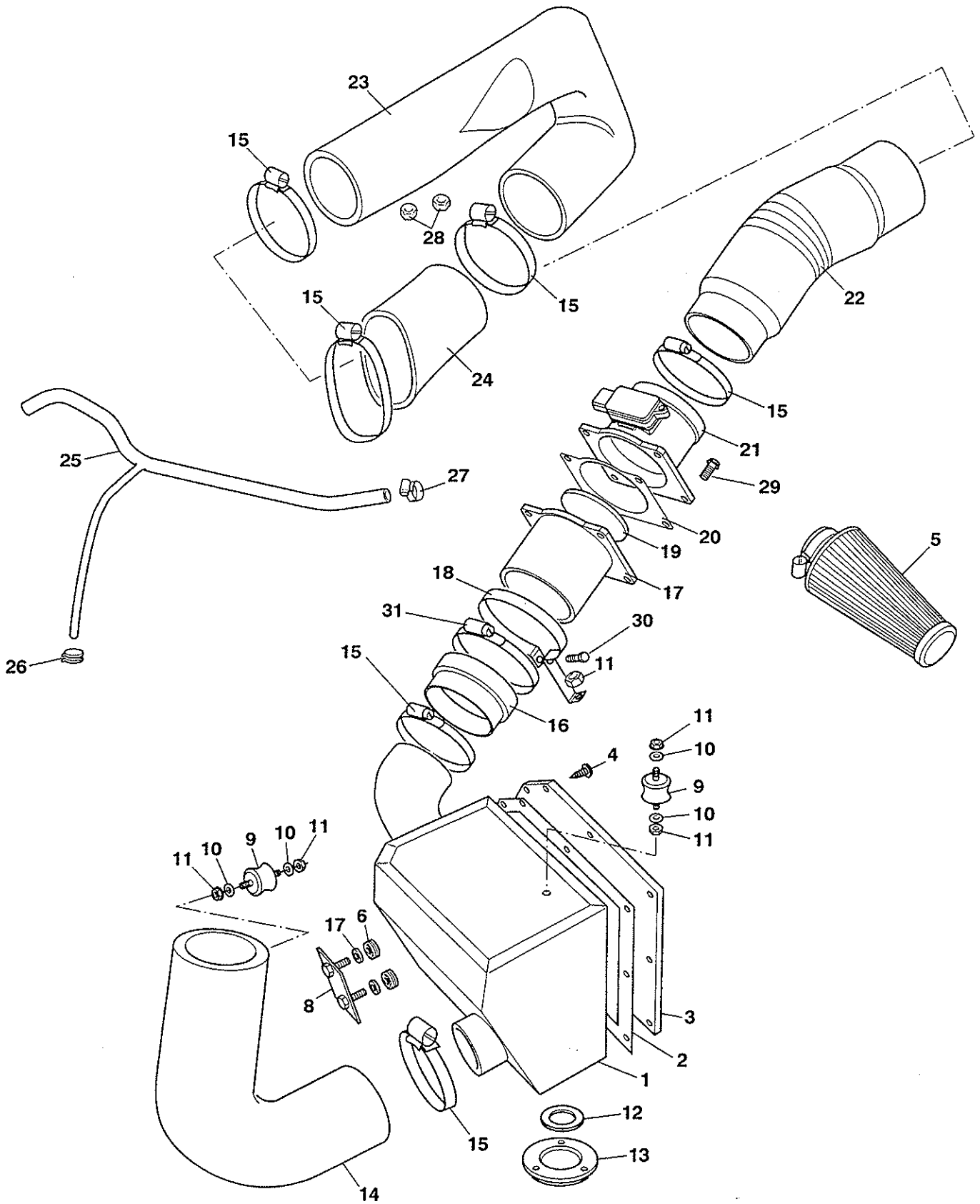


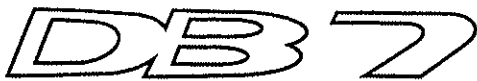
2.1A Fuel, Emission Control, Exhaust Induction and Supercharger

Item	Pt Number	Description	Qty	Remarks
1	08.84451	Induction manifold assembly	1	
2	32.84452	Charge air cooler assembly	1	
3	08.81603	"O" ring	2	Up to (E) 833
4	08.81604	Sleeve - charge air cooler to plenum	2	" " "
-	08.84655	Sleeve - charge air cooler to plenum	1	From (E) 834
5	08.84453	"O" ring	1	CAC to S/C
6	08.84458	Supercharger inlet assembly	1	
7	08.84459	Actuator - bypass	1	
8	697120	Screw, flg hd M6 x 16	2	Actuator mounting
9	08.84576	Hose - S/C bypass	1	
10	08.84464	Body - throttle	1	
11	08.84463	Gasket - throttle body to supercharger inlet	1	
12	08.84466	Seal - throttle body	1	
13	08.84462	"O" ring	1	Inlet to S/C
14	697106	Screw, hex flg M8 x 20	4	S/C inlet to supercharger
15	08.84465	Inlet - throttle body	1	
16	697713	Bolt, cap M6 x 90	4	
17	697123	Washer, plain M6	4	
18	08.84204	Sensor, throttle position	1	
19	08.84467	Spring, throttle return	1	
20	08.84468	Bracket, spring anchor	1	
21	697181	Screw, hex flg M6 x 14	2	Charge air cooler support
22	697177	Nut, flg M6	2	" " " "
23	08.81622	Spacer - charge air cooler support 13mm	1	Top
24	08.81623	Spacer - charge air cooler support 11mm	1	Lower
25	697260	Bolt, hex flg M8 X 40	2	
26	697114	Screw, hex flg M6 x 20	5	
27	08.84575	Bracket - throttle cable abutment	1	
28	08.84454	Brace - charge air cooler support	1	
29	08.84205	Valve, idle speed control	1	
30	08.84461	Gasket - ISCV	1	
31	08.81605	"O" ring	1	
32	697106	Screw, hex flg M8 x 20	4	CAC to S/C
33	08.80820	insulating gasket - induction manifold	1	
34	697100	Bolt, hex flg M8 x 30	7	Inlet manifold/cylinder head
-	697109	Bolt, hex flg M8 x 35	4	
-	44.81116	Bolt, hex flg M8 x 40	2	" " " "
35	08.81629	Supercharger mounting bracket assembly	1	
36	08.81391	Dowel - ring	1	S/C to bracket
37	08.81616	Dowel	2	S/C bracket/block
38	08.81617	Brace - supercharger mounting	1	
39	697120	Screw M6 x 16	3	Brace to CAC
40	697116	Bolt, hex flg M8 x 100	2	S/C to Bracket
41	697343	Bolt, hex flg M12 x 100	1	" "
42	08.80823	Supercharger	1	
-	08.84473	Filler plug, supercharger	1	
43	697262	Screw, hex flg M10 x 30	2	Brkt/block
44	697344	Screw, hex flg M10 x 70	3	" "
-	08.84457	Strap - CAC to plenum	1	
45	08.81392	Bush	4	Fuel rail cover mtg

2.1B Fuel, Emission Control, Exhaust
Air Filter and MAF Sensor

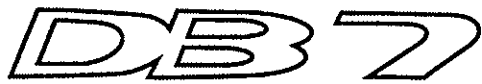
DB7





2.1B Fuel, Emission Control, Exhaust Air filter and MAF Sensor

Item	Pt Number	Description	Qty	Remarks
1	08.80806	Box - air cleaner assembly	1	
2	08.80807	Gasket, air box	1	
3	08.80808	Cover, air box	1	
4	697629	Screw, hex hd M4 x 8	8	Cover to air box
5	08.80211	Air filter assembly	1	
6	32.81332	Grommet	2	
7	89.83048	Distance piece	2	
8	08.83203	Stud plate assembly	1	
9	08.83204	Mount/isolator	4	
10	697286	Washer, M6 large OD	8	
11	697177	Nut, hex flg M6	9	
12	08.81401	Washer, nylon 4.9 x 22.2	1	
13	08.83202	Drain, air box	1	
-	697318	Sealant RTV	A/R	
14	08.80420	Hose - dirty air intake	1	
15	697175	Clip, hose - worm drive 80 - 100 DIA	6	
16	08.84486	Sleeve, rubber	1	
17	08.84483	Adaptor, MAF sensor	1	
18	08.84490	Bracket, MAFS	1	
19	08.84484	Gauze, air flow straightening	1	
20	08.84487	Gasket, MAFS	1	
21	08.84203	Sensor, mass air flow	1	
22	08.84489	Hose - intake	1	
23	08.84485	Duct, air intake elbow	1	
24	08.84488	Hose, duct elbow to throttle inlet	1	
25	08.84469	Hose, engine breather	1	
26	697714	Clip, breather hose	1	
27	697341	Clip, hose	1	
28	65.83042	Nut, M6	2	
29	04.80104	Bolt, M6 x 20	3	
-	64.83262	Bolt, M6 x 30	1	
30	44.80129	Screw, M6 x 12	1	
-	44.80132	Nut, nyloc M6	1	
31	12.90198	Clip, hose - MAF adaptor	1	

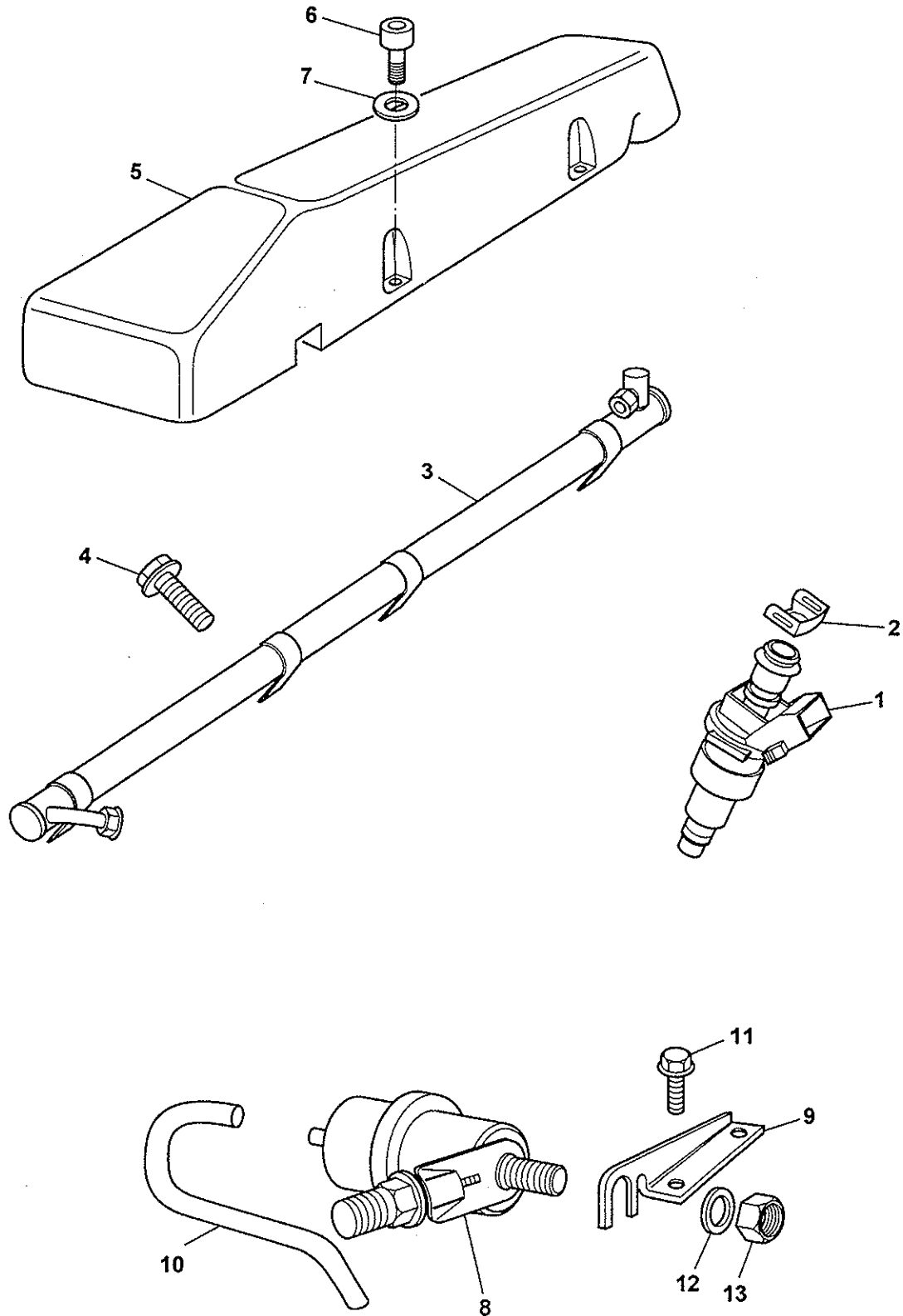


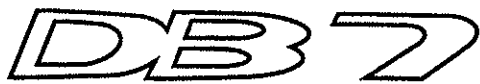
2.1C Fuel, Emission Control, Exhaust EGR System

Item	Pt Number	Description	Qty	Remarks
1	35.84455	Valve - EGR	1	
2	35.84444	Adaptor, EGR tube	1	
3	35.83078	Gasket, adaptor	2	
4	697719	Bolt, M8 x 35	2	Adaptor fixing
-	697720	Washer, M8 x 17 O/D	2	
5	35.84445	EGR tube - manifold to valve	1	
6	697710	Tube nut	3	Tube to adaptor
7	35.84449	Olive	2	" " "
8	35.84448	EGR tube - valve to S/C inlet	1	
9	35.84450	Olive	1	
10	697712	Screw, cap M8 x 25	2	
11	89.82145	Hose, vacuum - 15"	1	Cut to length

2.2 Fuel, Emission Control, Exhaust Fuel Injectors and Cover

DB7



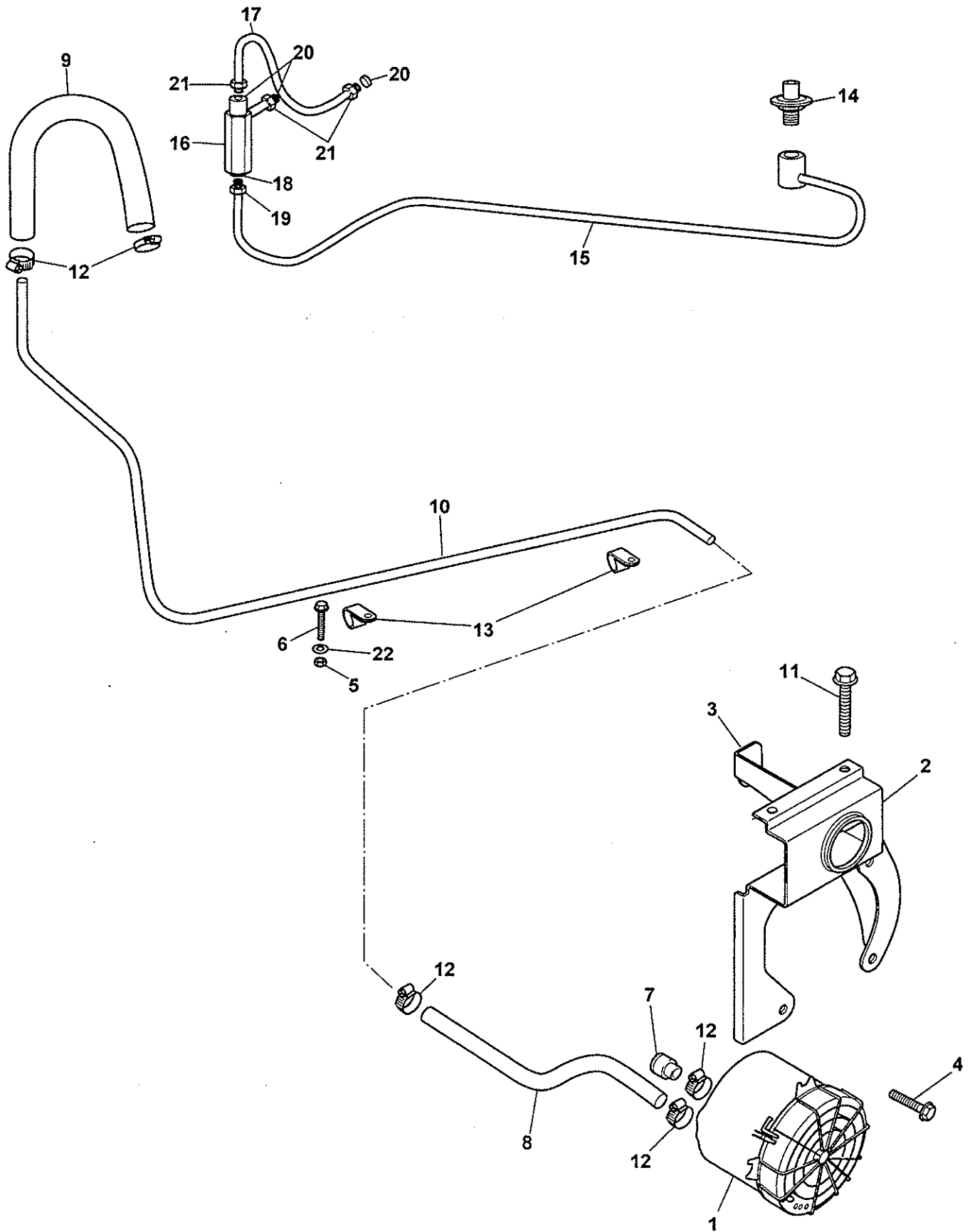


2.2 Fuel, Emission Control, Exhaust Fuel Injectors and Cover

Item	Pt Number	Description	Qty	Remarks
1	07.70272	Fuel injector	6	
2	08.80213	Clip - injector	6	
3	08.83070	Fuel rail assembly	1	
4	697181	Screw, hex flg M6 x 14	4	Rail/manifold
5	08.81407	Cover - fuel rail	1	
6	697319	Screw M6 x 14 (30)	4	Cover to fuel rail
7	697123	Washer, plain M6	4	
8	08.83060	Fuel pressure regulator	1	
9	08.81631	Bracket, fuel pressure regulator	1	
10	08.83071	Hose	1	
11	697181	Screw, hex flg M6 x 14	2	Bracket/manifold
12	697264	Washer, M14	1	
13	697265	Nut	1	

2.3 Fuel, Emission Control, Exhaust Secondary Air Injection System

DB7



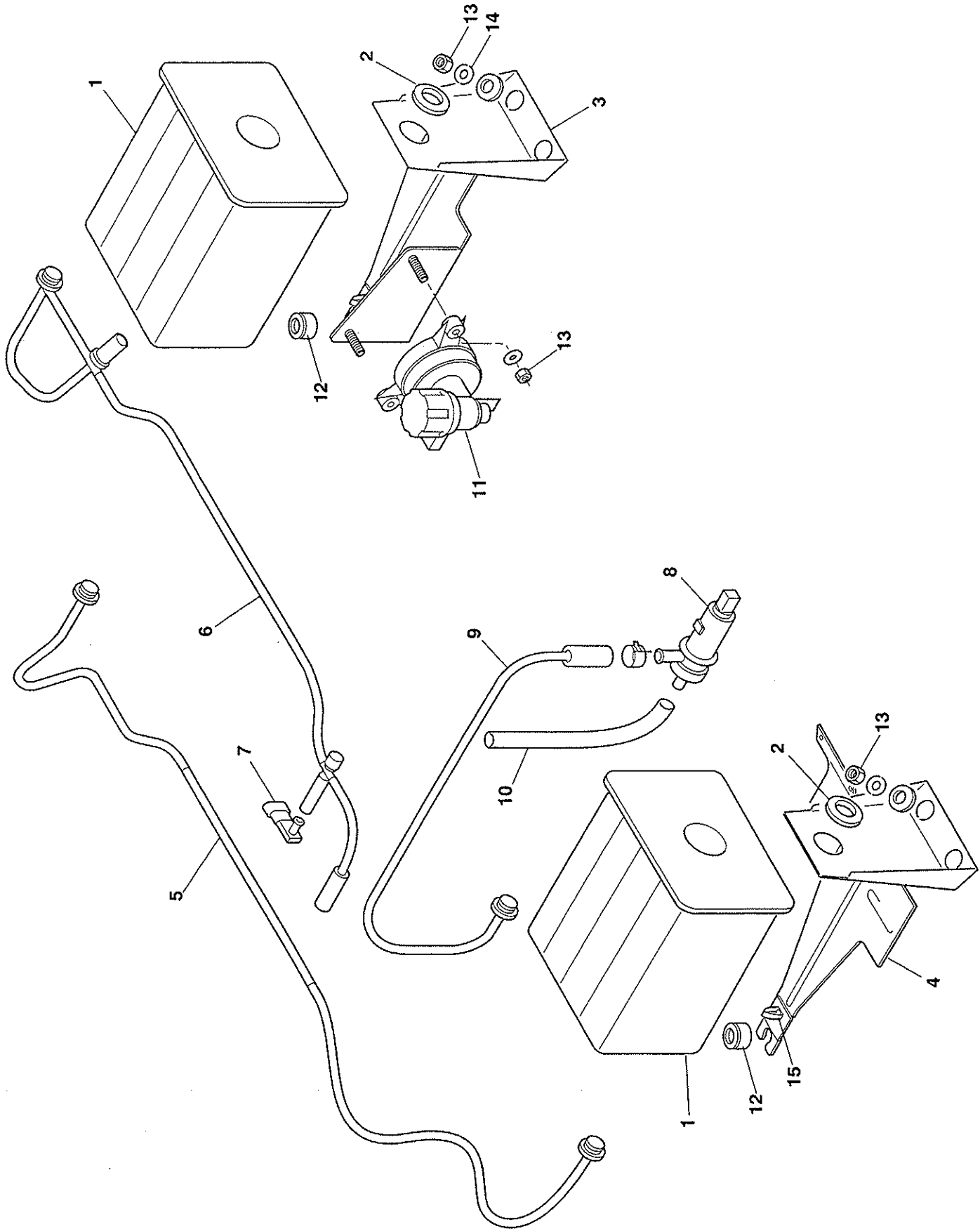


2.3 Fuel, Emission Control, Exhaust Secondary Air Injection System

Item	Pt Number	Description	Qty	Remarks
1	07.84597	AIR pump	1	
2	07.84605	Bracket - AIR pump mounting	1	
3	07.84132	Brace - AIR pump	1	
4	697176	Bolt, hex flg M6 x 30	3	
5	697122	Nut, flanged M6	1	
6	697120	Screw, hex flg M6 x 16	1	
7	07.84135	Filter, AIR pump	1	
8	07.84133	Hose - outlet pump	1	
9	07.80433	Hose - moulded - check valve	1	
10	07.80434	Pipe - air injection	1	
11	697196	Screw, hex flg M8 x 14	3	
12	697180	Clip, worm drive, 30 dia	5	
13	07.80437	P clip	2	
14	07.81403	Check valve	1	
15	07.83554	Pipe, air delivery	1	
16	07.81405	Air tube assembly	1	
17	07.81406	Tube, air	1	
18	07.80438	Sleeve, 16mm	1	
19	07.80439	Nut	1	
20	07.80440	Sleeve, 10mm	3	
21	07.80441	Nut	3	
22	697123	Washer, plain, M6	1	

2.4A Fuel, Emission Control, Exhaust
Coupe Evaporative Emission System

DB7

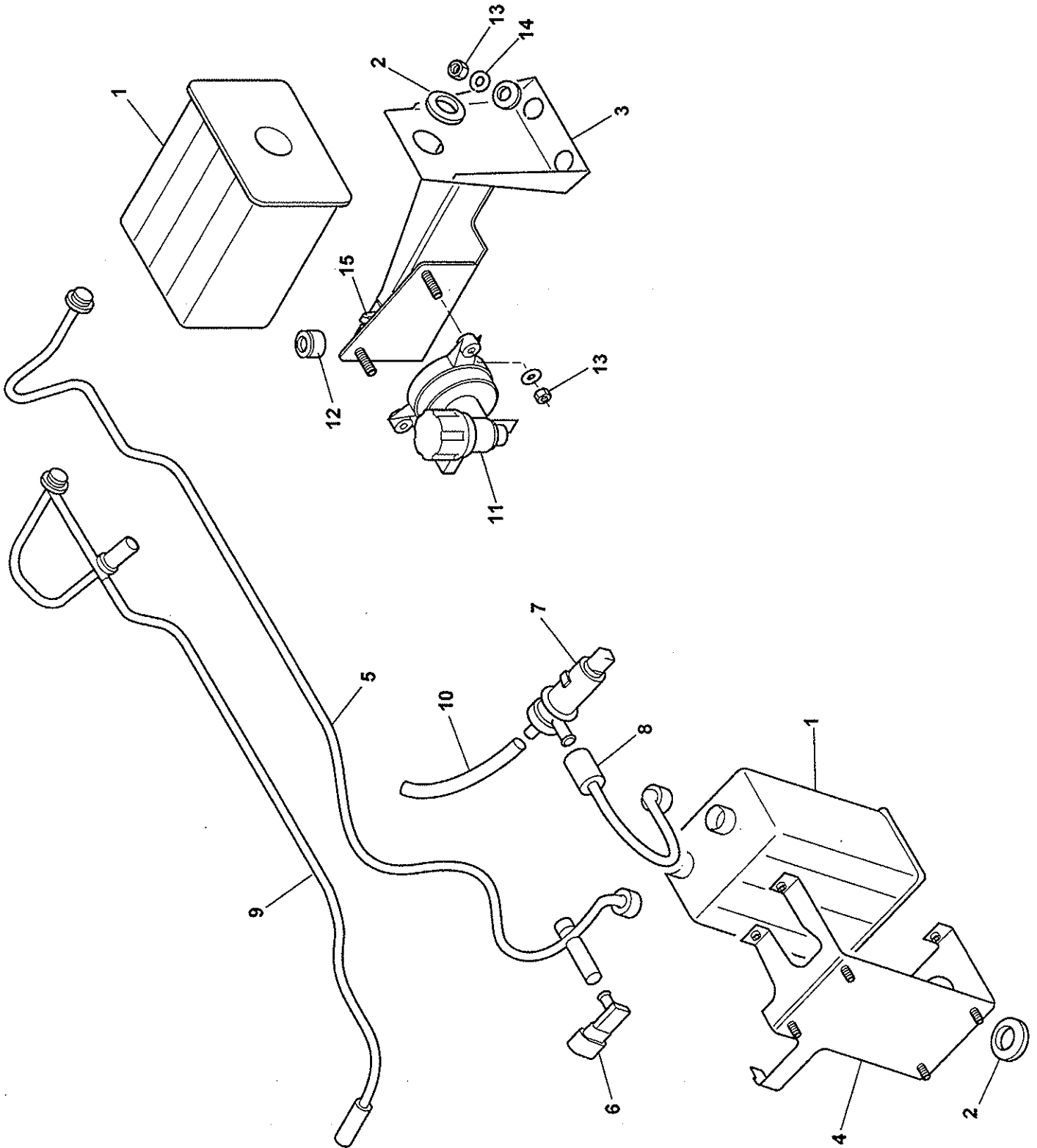
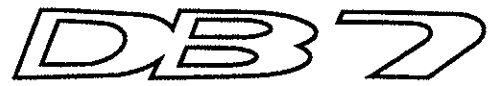


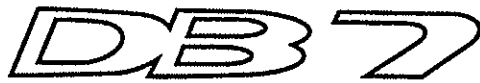


2.4A Fuel, Emission Control, Exhaust Coupe Evaporative Emission System

Item	Pt Number	Description	Qty	Remarks
1	34.84256	Canister - evaporative emission	2	
2	34.84258	Grommet, rubber	2	
3	34.84257	Mounting bracket, EVAP canister RH	1	
4	34.84263	Mounting bracket, EVAP canister LH	1	
5	34.84264	Pipe, canister to canister	1	
6	34.84259	Pipe, ROV to second canister	1	
7	34.84260	Sensor, fuel tank pressure	1	
8	34.84269	Valve, EVAP canister purge	1	
9	34.84265	Pipe, valve to first canister	1	
10	34.84266	Hose, valve to fuel bowl vent	1	
-	34.84539	<i>Armour, fuel bowl vent hose</i>	1	
-	34.84267	Bracket, EVAP canister purge valve	1	
11	34.84268	Valve, vapour management	1	
12	32.81332	Grommet	6	
13	07.80429	Nut, flanged M6	8	
14	37.81215	<i>Washer, plain M6</i>	6	
15	34.84601	<i>Stud, fastening</i>	2	

2.4B Fuel, Emission Control, Exhaust
Volante Evaporative Emission System

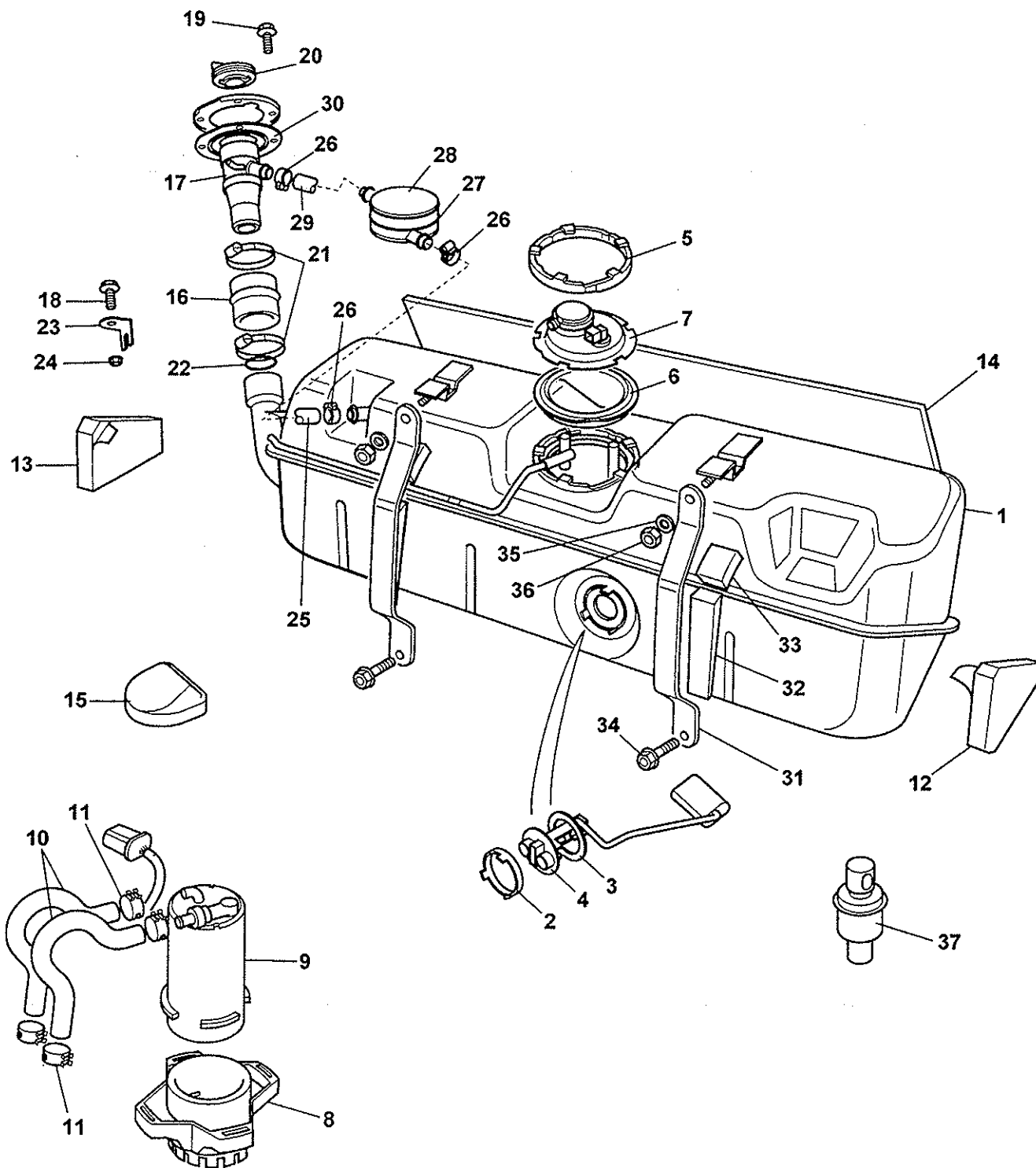




2.4B Fuel, Emission Control, Exhaust Volante Evaporative Emission System

Item	Pt Number	Description	Qty	Remarks
1	34.84256	Canister - evaporative emission	2	
2	34.84258	Grommet, rubber	2	
3	34.84257	Mounting bracket, EVAP canister RH	1	
4	34.84273	Mounting bracket, EVAP canister LH	1	
5	34.84270	Pipe, canister to canister	1	
6	34.84260	Sensor, fuel tank pressure	1	
7	34.84269	Valve, EVAP canister purge	1	
8	34.84271	Pipe, valve to first canister	1	
9	34.84272	Pipe, ROV to second canister	1	
10	34.84275	Hose, valve to fuel bowl vent	1	
-	34.84539	Armour, fuel bowl vent hose	1	
11	34.84268	Valve, vapour management	1	
12	08.83204	Mounting, anti vibration	1	
13	07.80429	Nut, flanged M6	8	
14	37.81215	Washer, plain M6	3	
15	34.84601	Stud, fastening	1	

2.5A Fuel, Emission Control, Exhaust Coupe Fuel Tank



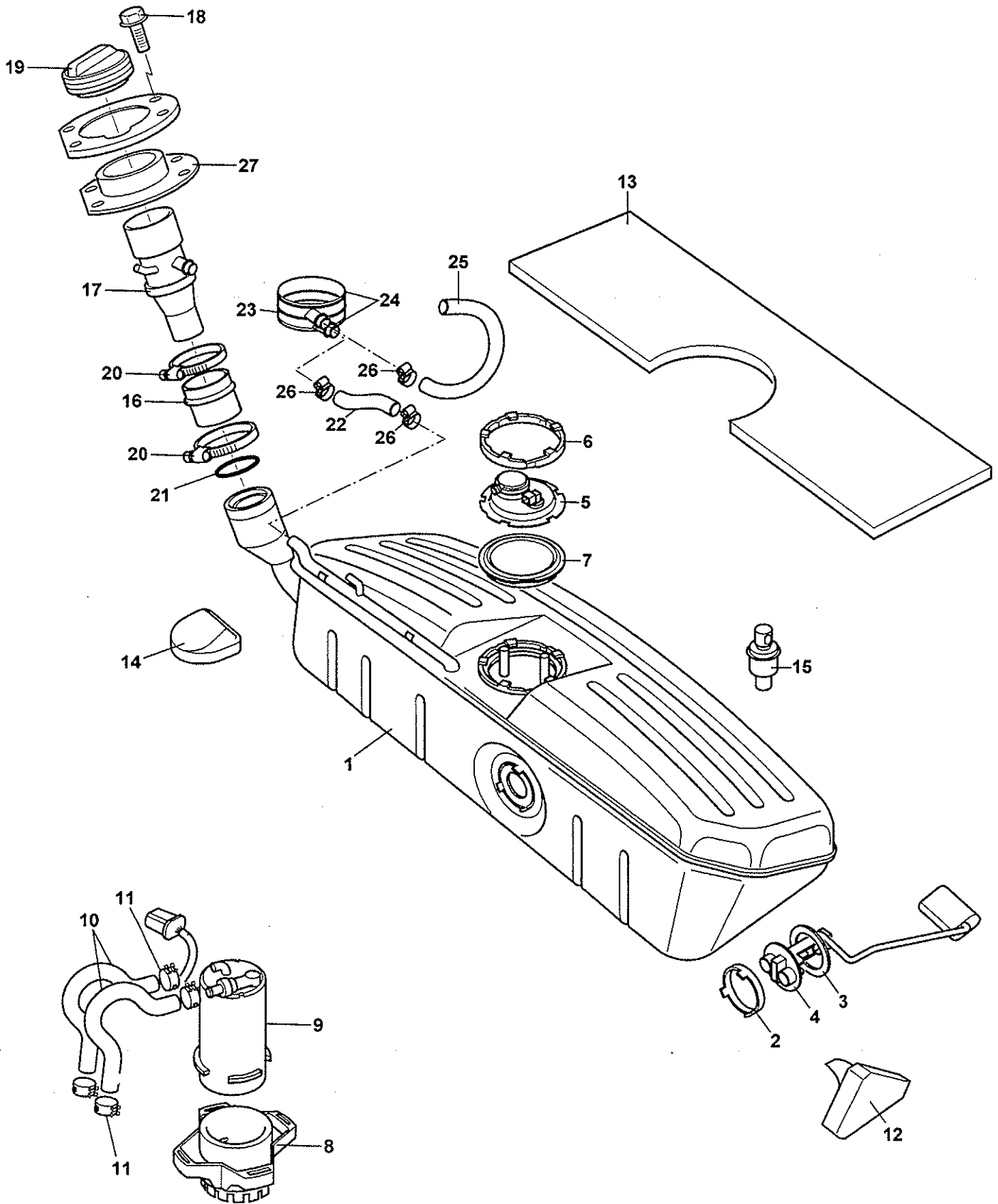


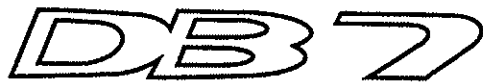
2.5A Fuel, Emission Control, Exhaust Coupe Fuel Tank

Item	Pt Number	Description	Qty	Remarks
1	34.84307	Fuel tank assembly	1	
2	34.83774	Ring - locking	1	
3	34.83775	Ring - sealing	1	
4	37.81415	Sensor - fuel tank element	1	
5	34.81413	Ring - locking	1	
6	34.84300	Ring, evaporative loss flange sealing	1	
7	34.84299	Flange - evaporative loss	1	
8	34.81416	Mounting rubber - fuel pump	2	
9	34.81419	Pump module assembly	1	
-	34.81420	Pump module assembly	1	
10	34.81421	In tank fuel hose	4	
11	697303	Clip, hose - worm drive 16 Dia	8	
12	34.81422	Pad - lateral location - RH	1	
13	34.81423	Pad - lateral location - LH	1	
14	85.81425	Pad - insulation	2	
15	34.81426	Seal - tank to platform	1	
16	68.84306	Hose, fuel filler	1	
17	68.84491	Filler assembly, fuel pipe - unleaded fuel	1	USA/CDN only
-	68.81428	Filler assembly, fuel pipe - unleaded fuel	1	Not USA/CDN
-	68.83395	Filler assembly, fuel pipe - leaded fuel	1	
18	697320	Screw, hex flg M5 x 12	2	
19	697118	Screw, hex flg M5 x 16	1	
20	68.81430	Filler cap assy - fuel	1	
21	697321	Clip - hose	2	
22	68.81432	"O" ring	1	
23	34.81433	Bracket - support	1	
24	697251	Nut, hex flg M5	1	
25	68.83072	Hose, fuel tank breather	1	
26	697245	Clip, hose - worm drive	4	
27	68.83073	Separator, fuel breather	1	
28	68.83074	Pad, separator insulation	2	
29	68.83075	Hose, filler guide	1	
30	68.81435	Grommet - fuel filler neck	1	
31	34.81436	Strap	2	
32	34.81437	Pad	2	
33	34.81438	Pad	2	
34	697124	Screw, hex flg M10 x 25	2	
35	697258	Washer, plain M10	2	
36	697322	Nut, hex M10	2	
37	34.84301	Pin, stuffer	2	
-	97.83969	Label, unleaded fuel	1	
-	97.83970	Label, leaded fuel	1	
-	97.81468	Label, cleanliness - fuel tank	1	

2.5B Fuel, Emission Control, Exhaust
Volante Fuel Tank

DB7



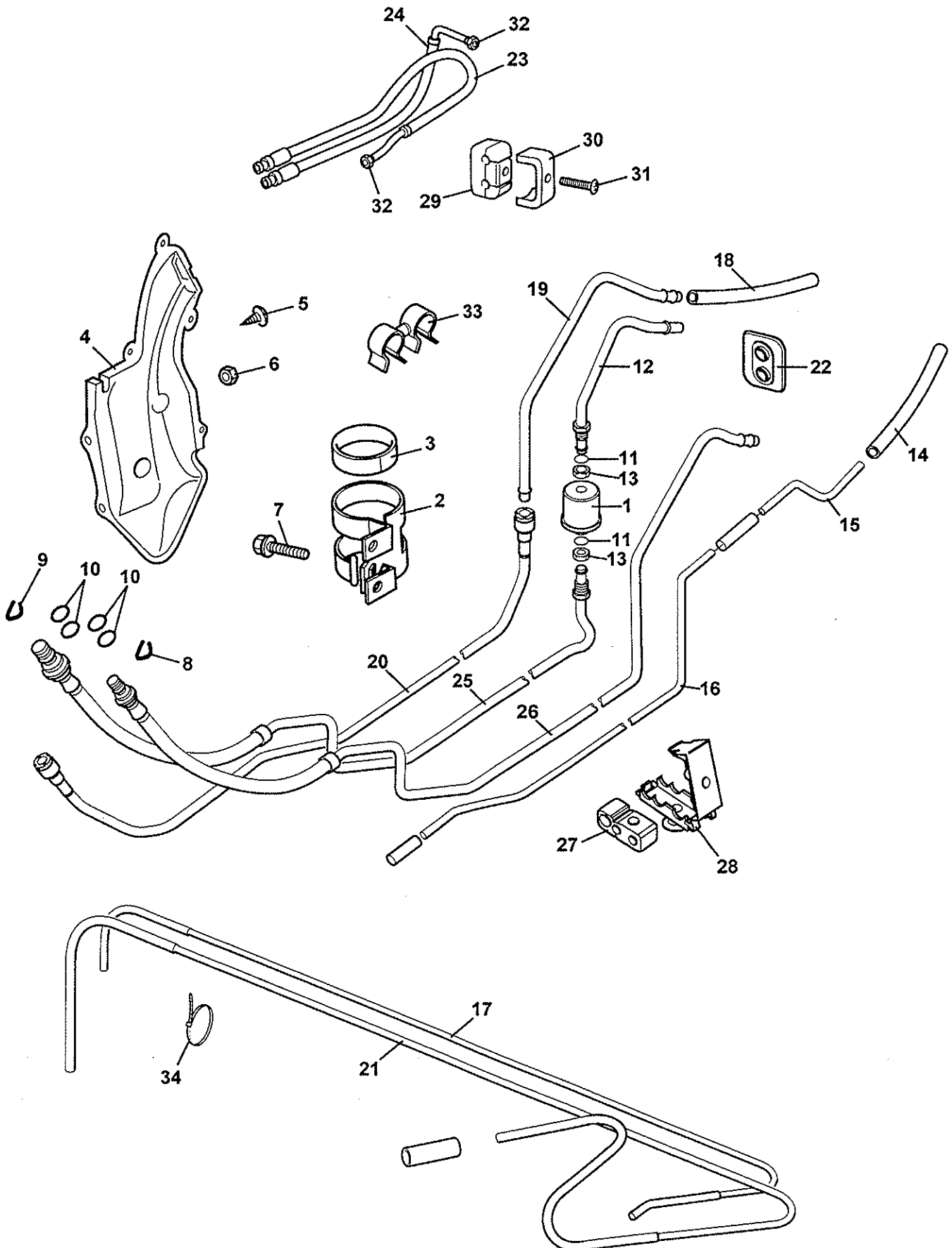


2.5B Fuel, Emission Control, Exhaust Volante Fuel Tank

Item	Pt Number	Description	Qty	Remarks
1	34.84296	Fuel tank assembly	1	
2	34.83774	Ring - locking	1	
3	34.83775	Ring - sealing	1	
4	37.84297	Sensor - fuel tank element	1	
5	34.84299	Flange - evaporative loss	1	
6	34.81413	Ring - locking	1	
7	34.84300	Ring, evaporative loss flange sealing	1	
8	34.81416	Mounting rubber - fuel pump	2	
9	34.81419	Pump module assembly	1	
-	34.81420	Pump module assembly	1	
10	34.81421	In tank fuel hose	4	
11	697303	Clip, hose - worm drive 16 Dia	8	
-	34.84295	Pad - lateral location - RH	1	
12	34.81423	Pad - lateral location - LH	1	
13	85.84291	Pad - upper insulation	1	
-	85.84292	Pad - insulation	1	Trunk reinforcement
14	34.81426	Seal - tank to platform	1	
15	34.84301	Pin, stuffer	2	
16	68.84306	Hose - filler	1	
17	68.84491	Filler assembly, fuel pipe - unleaded fuel	1	
-	68.83395	Filler assembly, fuel pipe - leaded fuel	1	
18	697727	Screw, hex flg M5 x 12	3	
19	68.81430	Filler cap assy - fuel	1	
20	697321	Clip - hose	2	
21	68.81432	"O" ring	1	
22	68.84302	Hose, fuel tank breather	1	
23	68.84304	Separator - fuel breather	1	
24	68.83074	Pad, separator insulation	2	
25	68.84303	Hose, separator to filler	1	
26	697245	Clip, hose - worm drive	4	
27	68.84305	Grommet - fuel filler neck	1	
-	97.83969	Label, unleaded fuel	1	
-	97.83970	Label, leaded fuel	1	
-	97.81468	Label, cleanliness - fuel tank	1	

2.6 Fuel, Emission Control, Exhaust Fuel and Vapour Pipes

DB7



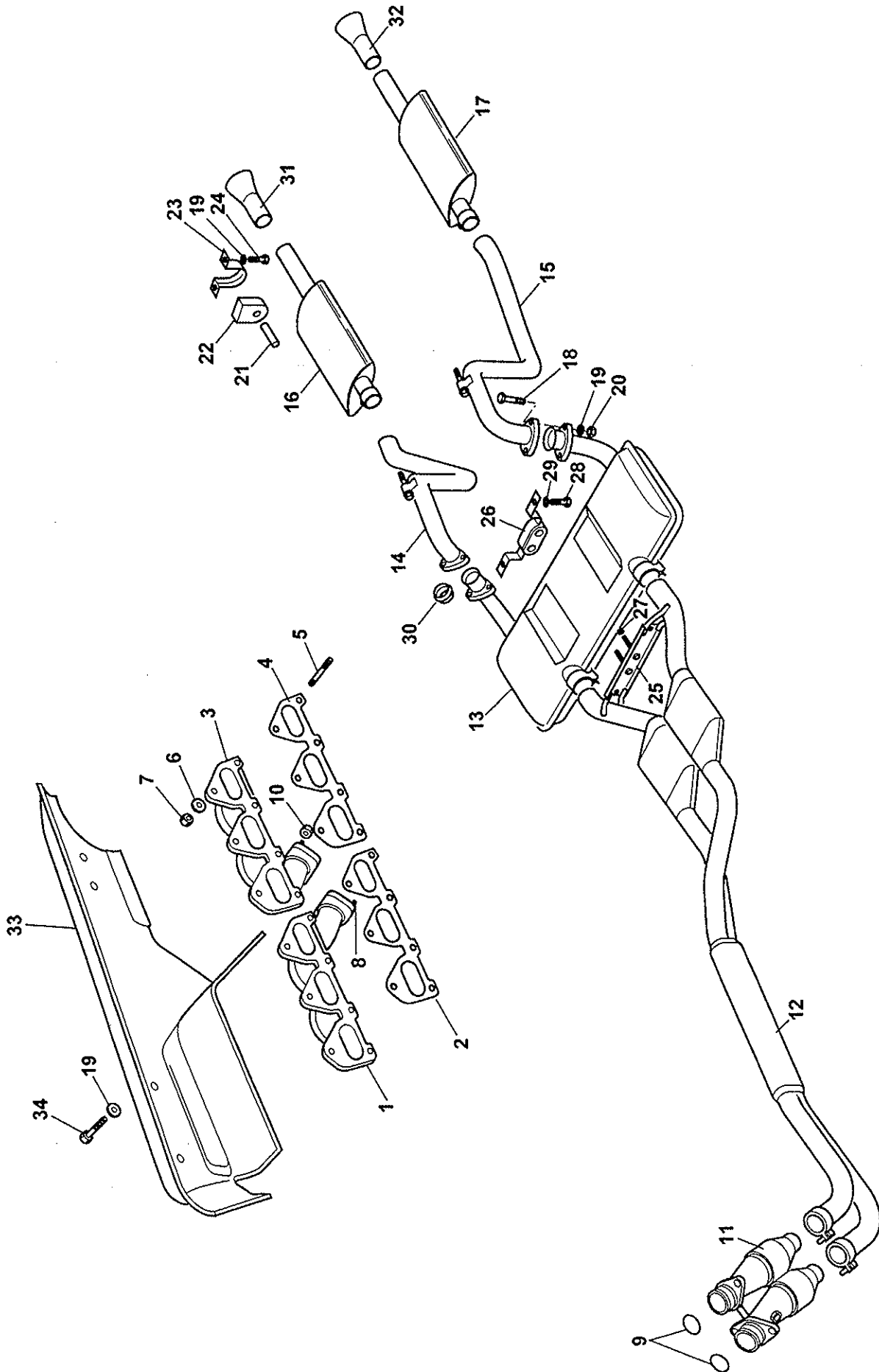


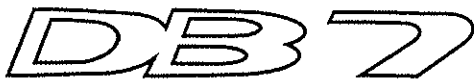
2.6 Fuel, Emission Control, Exhaust Fuel and Vapour Pipes

Item	Pt Number	Description	Qty	Remarks
1	34.81440	Fuel filter	1	
2	34.81441	Filter mounting bracket	1	
3	86.80221	Insulation - filter mounting bracket	2	
4	34.83971	Filter cover	1	
5	697323	Screw, rec flg S.T No 8 x 3/8"	6	
6	697324	Nut, lokut plastic No 10	3	
7	697120	Screw, hex flg M6 x 16	1	
8	34.81445	Clip - spring	1	
9	34.81446	Clip - spring	1	
10	697327	"O" ring 9.5mm ID	4	
11	697328	"O" ring	2	
12	34.83473	Pipe - fuel feed front	1	
13	697326	Nut, M16 x 1.5	2	
14	34.84252	Hose, vacuum	1	
15	34.84254	Pipe, underbonnet vacuum	1	
16	34.84250	Pipe, underfloor vacuum	1	
17	34.84261	Pipe, vacuum tank floor	1	
18	34.84255	Hose, supercharger inlet vapour	1	
19	34.84253	Pipe, underbonnet vapour	1	
20	34.84527	Pipe, underfloor vapour	1	
21	34.84262	Pipe, vapour tank floor	1	
22	34.81452	Grommet	1	
23	34.81462	Hose, fuel rail - feed	1	
-	34.84672	Clip, hose - 14/16mm	7	Fuel feed hose to over flow pipe
24	34.81463	Hose, fuel rail - return	1	
25	34.84248	Pipe assembly - fuel feed - under floor	1	
26	34.84249	Pipe, fuel return - underfloor	1	
27	34.81454	Clip - rubber	5	
28	34.81455	Clip - plastic	5	
29	34.81459	Pipe support	1	
30	34.81460	Pipe bracket	1	
31	697329	Screw, p.c hex M6 x 40	1	
-	34.84251	Clip, underfloor pipes	7	
32	34.81464	Nut, connecting (plated)	1	
33	34.81465	Clip - hose	2	
34	697274	Tie strap	9	

2.7 Fuel, Emission Control, Exhaust Exhaust System

DB7





2.7 Fuel, Emission Control, Exhaust Exhaust System

Item	Pt Number	Description	Qty	Remarks
1	35.83552	Exhaust manifold - front	1	With AIR
-	35.80448	<i>Exhaust manifold - front</i>	1	<i>Non AIR</i>
2	35.80222	Gasket - exhaust manifold - front	1	
3	35.83553	Exhaust manifold - rear	1	With AIR
-	35.80449	<i>Exhaust manifold - rear</i>	1	<i>Non AIR</i>
4	35.80223	Gasket - exhaust manifold - rear	1	
5	06.83549	Stud, exh manifold to cyl head	14	
6	35.83076	Spacer, exhaust manifold	14	
7	697285	Nut, flg, M10	14	
8	35.80451	Stud	4	Outlet flange
9	35.80224	Joint - manifold to downpipe	2	
10	35.83196	Nut, locking - helicoil	4	Downpipe to exh manifold
11	35.84147	Exhaust downpipe assy, catalyst - unleaded fuel	1	RHD
-	35.84146	Exhaust downpipe assy, catalyst - unleaded fuel	1	LHD
-	35.83475	Exhaust downpipe assy, catalyst - unleaded fuel	1	J only - with exh temp sensor
-	35.84148	Exhaust downpipe assy - leaded fuel	1	RHD
-	35.84149	Exhaust downpipe assy - leaded fuel	1	LHD
-	35.90223	<i>Blanking plug - HO2S sensor</i>	4	<i>Cars without HO2S sensors</i>
12	35.84139	Interpipe assembly, catalyst	1	Unleaded fuel
-	35.84615	Interpipe assembly, catalyst	1	J only - with exh temp sensor
-	35.84140	Interpipe assy	1	Leaded fuel
13	35.84141	Silencer, transverse	1	Up to (V)101620
-	35.90432	Silencer, transverse	1	From (V)101621
14	35.80225	Pipe - exhaust - over axle - RH	1	Up to (V)101620
-	35.90428	Pipe - exhaust - over axle - RH	1	From (V)101621
15	35.80226	Pipe - exhaust - over axle - LH	1	Up to (V)101620
-	35.90429	Pipe - exhaust - over axle - LH	1	From (V)101621
16	35.84142	Silencer assembly - rear - RH	1	
17	35.84143	Silencer assembly - rear - LH	1	
18	697185	Bolt, hex head M8 x 50	6	
19	697142	Washer, plain, 5/16"	14	
20	697665	Nut, helicoil	6	
21	35.80461	Bush	2	
22	35.83229	Mounting rubber	2	
23	35.80462	Cradle - exhaust mounting	2	
24	697187	Screw, hex head M8 x 16	4	
25	35.84144	Tie bracket assembly	1	
26	35.84145	Tunnel mounting assembly	1	
27	697182	Nut, hex flg M8	2	Tie bracket to silencer
28	697106	Screw, hex flg M8 X 20	2	
29	697142	Washer, plain 5/16"	12	
30	35.80235	Ferrule - cat silencer over axle	2	
31	35.83230	Trim - tail pipe - RH	1	
32	35.83231	Trim - tail pipe - LH	1	
33	86.80467	Heatshield, exhaust manifolds	1	
34	697106	Screw, hex flg M8 x 20	4	Heatshield to manifolds

